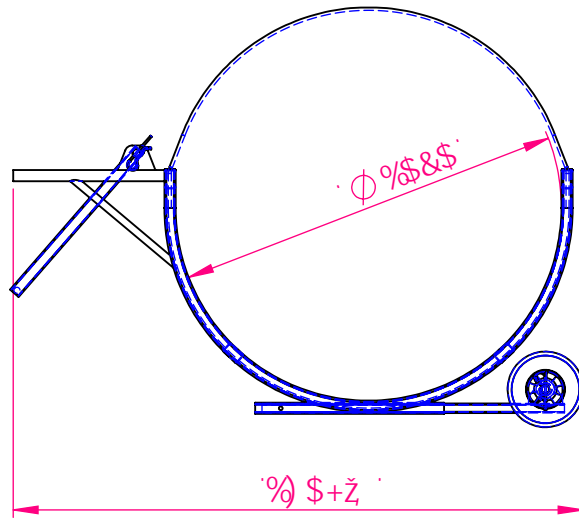
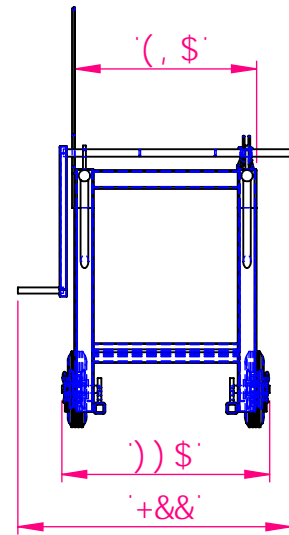


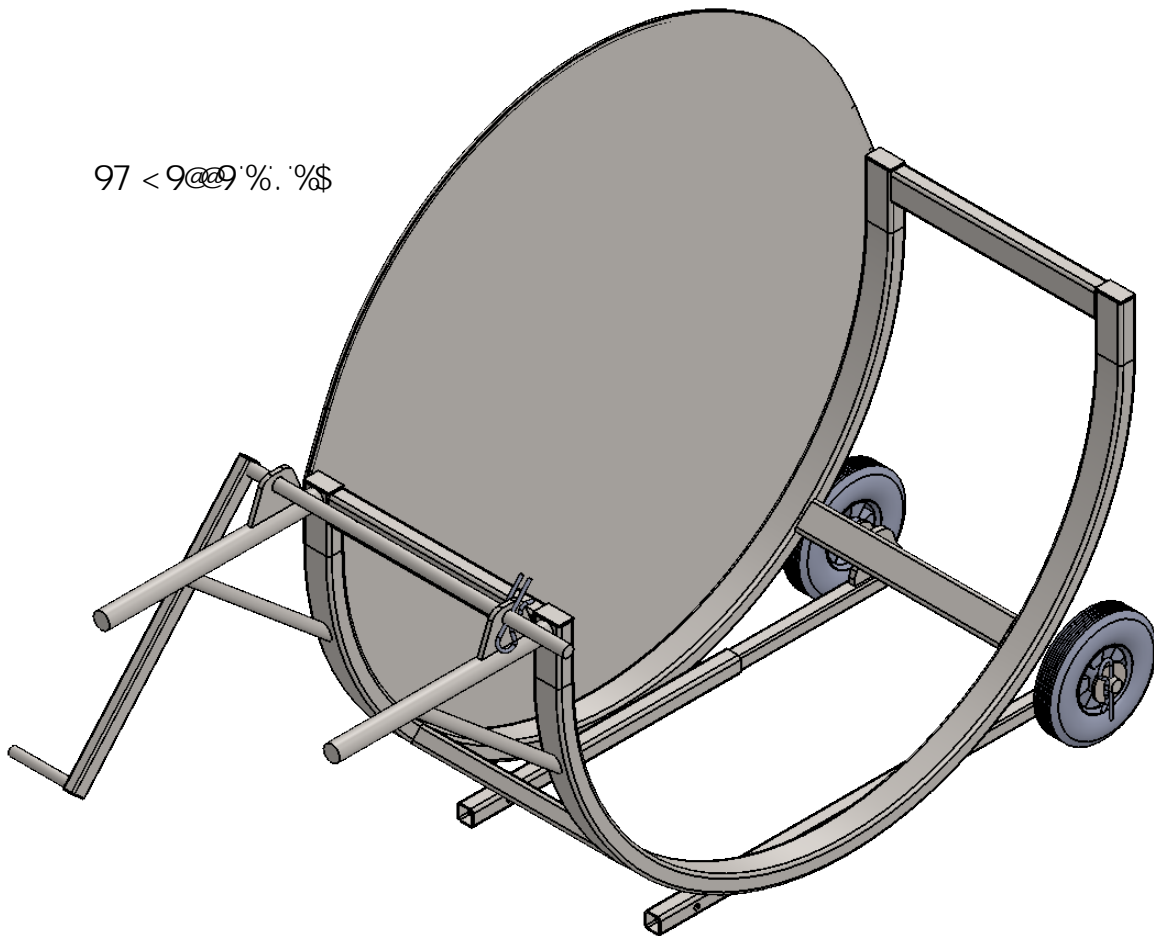
97 < 9@9% . &\$



97 < 9@9% . &\$



97 < 9@9% . %\$



F9J -GCBG				
NcBY	FYj	8YgWfdhcb	8UHx	FfU'gf
	\$	7ffUhc b	& #P\$#&\$%	8H
	5	A cXIZWUhc bgfy bzc fng	& #P\$#&\$%(	8H

**STECO Industries**  
S.A.S.  
CHALCRONIERE  
160-ANG-SAUUHC

86 CHARROUX - 05 49 87 62 61  
www.stecoindustries.fr



A 5H9F-51 .  
A Uh'fU' i 'Obc b'gd fWZf 2  
:B-HC B.  
7 5GG9F @G5B; @GJ+G  
; Uj Ub'gfY  
DFCH97 HC B'.

: U[ chYi gY 'a Ubi Y`Y`

Dub'fU'gf' gci ggnh, a Y'8"5"C"  
BY'dUga cXIZYf a Ubi Y`Ya Ybh  
@Y ZWYF' 8 Yh'U a JgY Yb'd'Ub YghXY`U`  
dfcdfly' XY`U'g'W'ly' G#7 C 'bXi g'fY'g'Hi h  
i dJ[Y XY fYdfcXi W'hc'ci XY Wc a i bWUhc b'  
gJbgUi hc fgUhc b Ygh'bh'fX'h'fc] %@# #%) +E

A 5GG9.  
(+)

Bc"89D@5B	% !' (-	5(
: 91 @9%G F %	B9D5G7 <5B: 9F @9: CFA 5H	

(

&

%